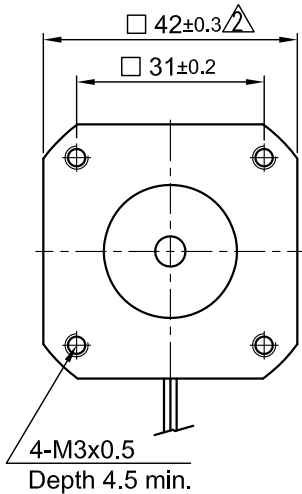
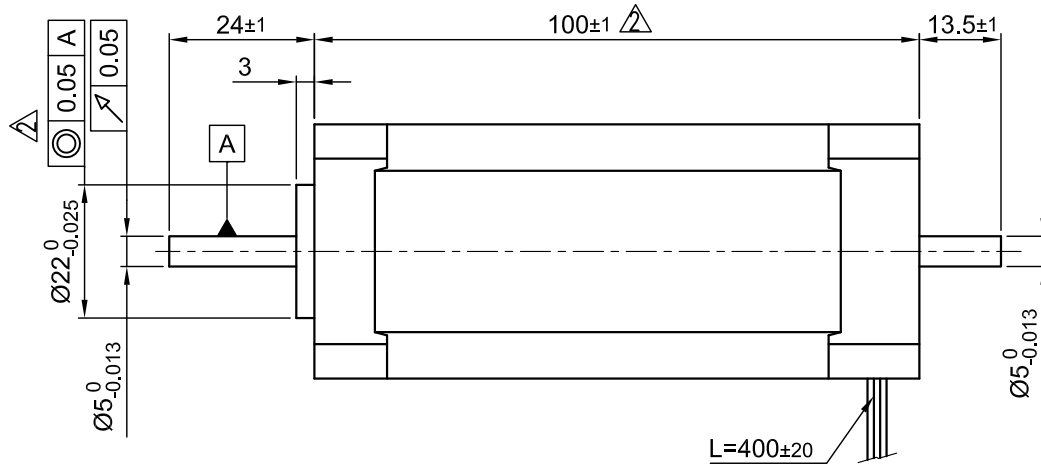


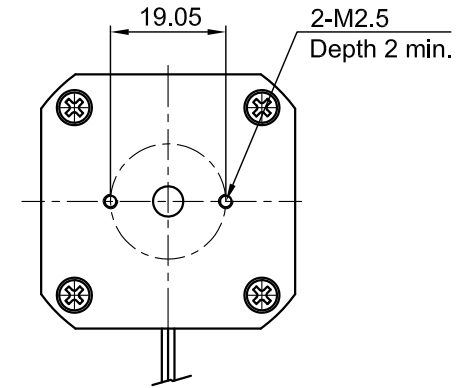
Front view and mounting



Side view

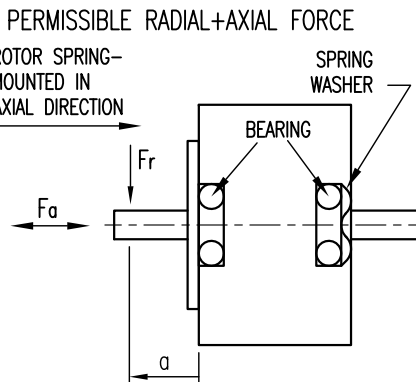


Rear view

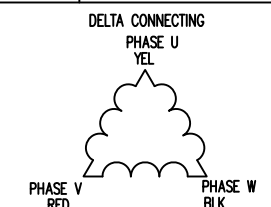


SPECIFICATION	CONNECTION	DELTA
NO. OF POL./PHASE		8/3
VOLTAGE RATED		24
CURRENT NO LOAD/RATED/PEAK (AMP)		0.3/6.65/20
RESISTANCE/PHASE TO PHASE (Ohms) @25°C		0.3±15%
INDUCTANCE/PHASE TO PHASE (mH) @1KHz		0.5±20%
TORQUE RATED/PEAK (Nm) [lb-in]		0.25/0.75 [2.21/6.64]
TORQUE CONSTANT (Nm/A)		0.0376 4 5
POWER RATED (W)		105
SPEED RATED/NO LOAD (RPM) 5		4000/6300 4
ROTOR INERTIA (Kg-m ²) [lb-in ²]		8.86x10 ⁻⁶ [3.03x10 ⁻²] 6
WEIGHT (Kg) [lb]		0.75 [1.65]
TEMPERATURE RISE: MAX.80°C		
AMBIENT TEMPERATURE -10°~ 50°C [14°F ~ 122°F]		
INSULATION RESISTANCE 100 MOhm (UNDER NORMAL TEMPERATURE AND HUMIDITY)		
INSULATION CLASS B 130° [266°F]		
DIELECTRIC STRENGTH 500VAC FOR 1 MIN. (BETWEEN THE MOTOR COILS AND THE MOTOR CASE)		
AMBIENT HUMIDITY MAX. 85% (NO CONDENSATION)		

PERMISSIBLE RADIAL+AXIAL FORCE		
ROTOR SPRING-MOUNTED IN AXIAL DIRECTION		
AXIAL-FORCE Fa (N)	Fa=10	
DISTANCE a (mm)	20	
RADIAL-FORCE Fr (N)	28	
	AXIAL	RADIAL
SHAFT PLAY (mm)	0.08	0.02
AT LOAD MAX: (N)	4.5	4.5



WIRING DIAGRAM									
	COLOR	FUNCTION	Dir. \longleftrightarrow				LEAD GAUGE		
MOTOR 8 POL.	YEL	U	X	HI	HI	X	LOW	LOW	UL1430 AWG20
	RED	V	HI	X	LOW	LOW	X	HI	
	BLK	W	LOW	LOW	X	HI	HI	X	
HALL 24 IMPL. REV.	RED	+5V							UL1430 AWG26
	BLU	H1	0	0	0	1	1	1	
	WHT	H2	0	1	1	1	0	0	
	GRN	H3	1	1	0	0	0	1	
	BLK	GND							



6	CHANGE ROTOR INERTIA	08.09.15	A.S.
5	UPDT. DATA	24.10.14	J.D.
4	DELETE B-EMF+NEW VALUE	18.10.13	J.D.
REV	DESCRIPTION	DATE	DRN


Nanotec[®]
 PLUG & DRIVE
 DB42C03

SCALE FREE	APVD	<i>S.Ha.</i>	19.06.07
X ±0.5	CHKD		
1PL ±0.2	DRN	<i>J.W.</i>	14.05.07
2PL ±0.1	SIGNATURE		DATE
ANGLE ±30'			

BRUSHLESS DC MOTOR
 DWG.NO
 DB42C03